



# Reliable Container Shipping

From Columbus, Ohio, USA  
to Freetown, Sierra Leone; West Africa



614-678-1377



2175 Breezeway PL  
Marysville, Ohio 43040



# TABLE OF CONTENTS



## COMPANY OVERVIEW \_\_\_\_\_ 03

About us .....	03
Our Mission & Vision .....	04
Core Value .....	05

## OUR CORE SHIPPING ROUTE \_\_\_\_\_ 06

Our Core Shipping Route .....	06
Primary Shipping Corridor .....	06
Port & Handling Information .....	06

## OUR SERVICES \_\_\_\_\_ 07

Personal Container Shipping .....	07
Commercial Shipping Solutions .....	08
Door-to-Door Delivery Service .....	09
Shipping Insurance (Optional) .....	10

## CONTAINER OPTIONS \_\_\_\_\_ 11

53' Container .....	11
40' Container .....	11
20' Container .....	12
Shared Container Option .....	12

## PRICING & PAYMENTS \_\_\_\_\_ 13

Competitive Pricing Model .....	13
Our Pricing Included .....	13
Payment Options .....	13

## SHIPPING PROCESS \_\_\_\_\_ 14

Shipping Process (step-by-step) .....	14
---------------------------------------	----

## REQUIRED DOCUMENTATION \_\_\_\_\_ 15

For Personal Shipments .....	15
For Business Shipments .....	15

## SHIPPING POLICIES & CUSTOMER ASSURANCE \_\_\_\_\_ 16

## WHY CHOOSE ROCKET SHIPPING INC. \_\_\_\_\_ 17

## FREQUENTLY ASKED QUESTIONS (FAQ) \_\_\_\_\_ 18

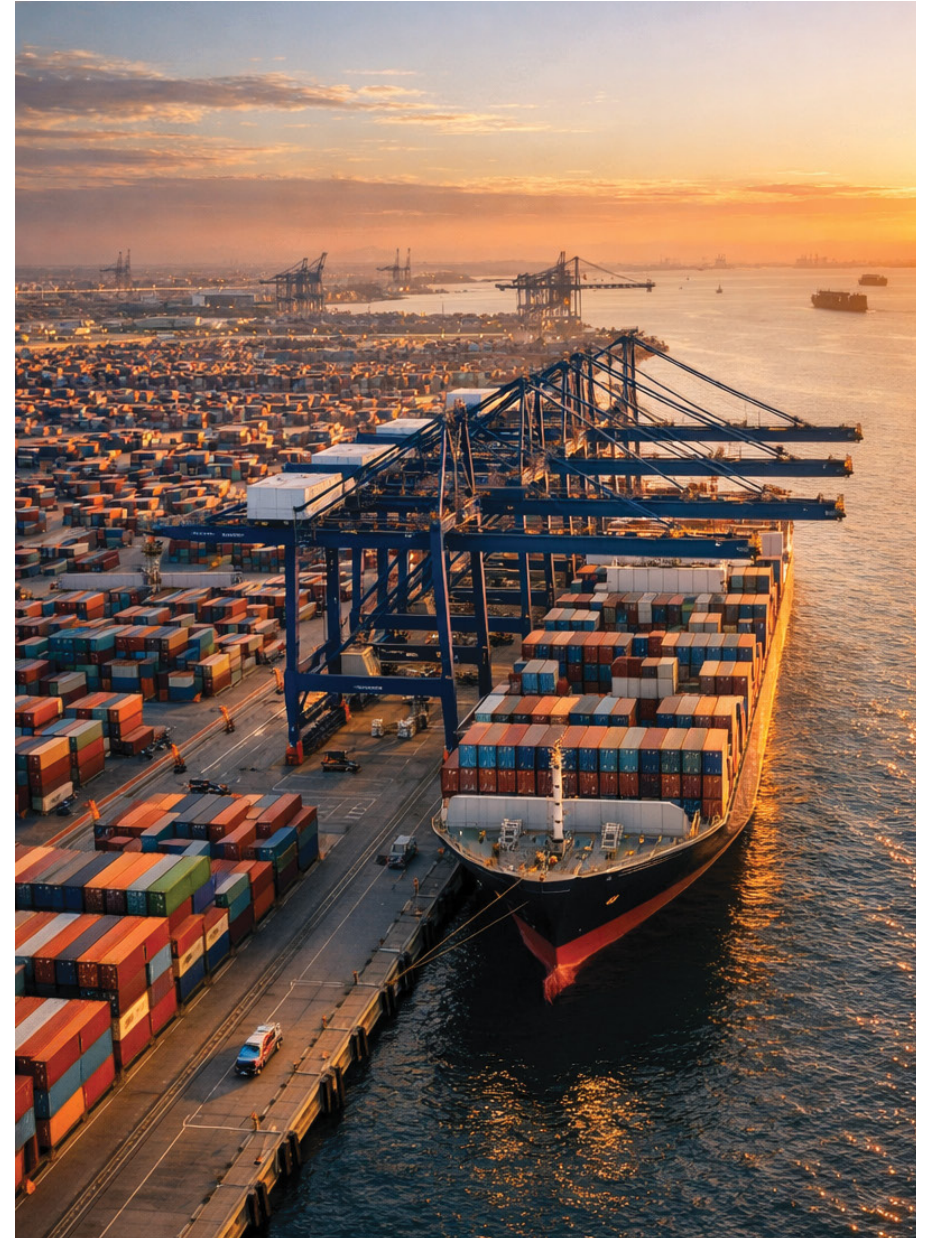
## CONTACT INFORMATIONS \_\_\_\_\_ 19

## ABOUT ROCKET SHIPPING INC.

**Rocket Shipping Inc.** is a trusted logistics provider specializing in reliable container shipping services between the United States and Sierra Leone. Our company is committed to helping individuals, families, and businesses transport goods safely, efficiently, and affordably across the Atlantic.

With strong industry experience and dependable international shipping partners, we ensure that every shipment is handled with care and delivered on schedule. Our streamlined logistics process simplifies international shipping while maintaining the highest standards of professionalism and service.

Rocket Shipping Inc. proudly provides **door-to-door delivery from Columbus, Ohio to Freetown, Sierra Leone**, making global shipping convenient and dependable for our customers.





## OUR MISSION

To provide secure, affordable, and dependable container shipping services that connect communities between the United States and Sierra Leone.

## OUR VISION

To become the most trusted shipping provider for transatlantic cargo between the United States and West Africa.

## CORE VALUES

To become the most trusted shipping provider for transatlantic cargo between the United States and West Africa.



### 01 Reliability

Rocket Shipping Inc. is dedicated to delivering shipments safely and on schedule. Our experienced logistics coordination and trusted ocean freight partners ensure dependable service from pickup to final delivery.



### 02 Security

We prioritize the safety of every shipment through secure container loading, professional handling, and strict shipping procedures. Our process ensures goods remain protected throughout transit.



### 03 Transparency

We believe in clear communication and honest pricing. Customers receive accurate information, shipment updates, and full visibility into the shipping process.



### 04 Customer Commitment

Our customers are at the center of everything we do. From the initial quote to final delivery, our team provides personalized support to ensure a smooth and reliable shipping experience.

# OUR CORE SHIPPING ROUTE



## PRIMARY SHIPPING CORRIDOR

**Origin** : Columbus, Ohio, USA

**Destination** : Freetown, Sierra Leone

We provide reliable shipping services along this specialized route with door-to-door delivery available in the Greater Freetown area.

## PORT & HANDLING INFORMATION

- › Container consolidation point (Columbus Ohio)
- › Customs clearance process in Sierra Leone, we handle customs clearance for all shared container use.
- › Final delivery arrangements, we deliver door to door to the customer's receiver in Freetown.

# OUR SERVICES



## OUR SERVICES

### PERSONAL CONTAINER SHIPPING

We help individuals ship personal goods safely from the United States to Sierra Leone.



Household goods



Furniture



Clothing & personal belongings





Vehicles



Gifts & family supplies



### CONTAINER OPTIONS

-  Full Container Load (FCL)
-  Shared Container

# OUR SERVICES



## COMMERCIAL SHIPPING SOLUTIONS

Rocket Shipping supports businesses transporting commercial goods between the US and Sierra Leone.

## BUSINESS ADVANTAGES



**Bulk Pricing**



**Scheduled Departures**



**Inventory Documentation Support**



**Commercial Customs Assistance**

## WHAT WE SHIP ?

Rocket Shipping supports businesses transporting commercial goods between the US and Sierra Leone.



**Retail inventory**



**Building Materials**



**Equipment & machinery**



**Wholesale Goods**



**Store Supplies**

## DOOR-TO-DOOR DELIVERY SERVICE

Our door-to-door delivery service simplifies international shipping by handling every step of the process— from pickup and container loading to ocean transport, customs clearance, and final delivery.



## SHIPPING INSURANCE (OPTIONAL)

Rocket Shipping Inc. offers optional cargo insurance to protect shipments against loss, damage, or theft during transit. This coverage provides added peace of mind by ensuring your goods are financially protected throughout the shipping journey.

### Full Cargo Insurance Coverage Includes:



Loss  
Protection



Damage  
Protection



Theft  
Coverage



Transit  
Risk Protection

## HOW INSURANCE WORKS

Cargo insurance protects your shipment against unexpected incidents during transit. If insurance is purchased before shipment, the cargo is covered for potential loss, theft, or damage that may occur while the goods are being transported.

## CLAIM PROCESS

**Call Rocket Shipping Inc. and file a claim.**

If a shipment experiences loss, theft, or damage, customers can contact Rocket Shipping Inc. to initiate a claim. Our team will guide you through the claims process and assist in reviewing the necessary documentation to resolve the issue as quickly as possible.

## WHY INSURANCE IS RECOMMENDED

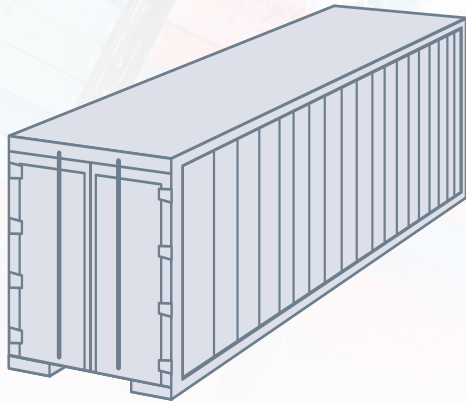
Cargo insurance provides additional financial protection and peace of mind during international shipping. It ensures that customers are protected against unforeseen risks that may occur while goods are in transit.

# CONTAINER OPTIONS



## 53' CONTAINER

- › Best for large households or bulk commercial goods
- › Cost efficiency per cubic foot

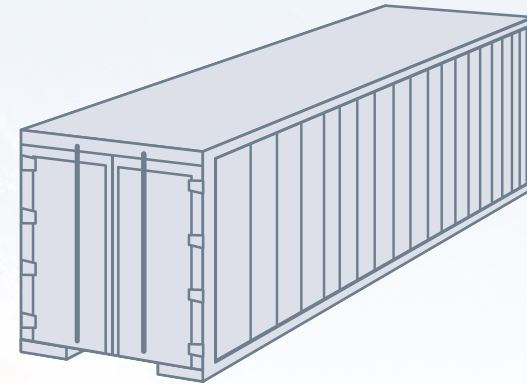


### SPECIFICATIONS

INSIDE LENGTH	15.994 m
INSIDE WIDTH	2.505 m
INSIDE HEIGHT	2.726 m
DOOR WIDTH	2.4384 m
DOOR HEIGHT	2.6416 m
CAPACITY	109.3 m <sup>3</sup>
TARE WEIGHT	11,860 lb
MAX CARGO WEIGHT	67,200 lb

## 40' CONTAINER

- › Best for large households or bulk commercial goods
- › Cost efficiency per cubic foot



### SPECIFICATIONS

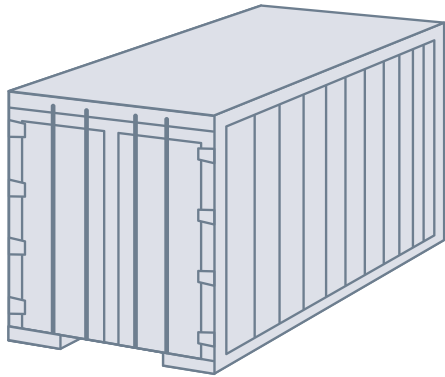
INSIDE LENGTH	12.029 m
INSIDE WIDTH	2.350 m
INSIDE HEIGHT	2.392 m
DOOR WIDTH	2.340 m
DOOR HEIGHT	2.292 m
CAPACITY	67 m <sup>3</sup>
TARE WEIGHT	8,333 lb
MAX CARGO WEIGHT	58,863 lb

# CONTAINER OPTIONS



## 20' CONTAINER

Ideal for household goods or small business shipments

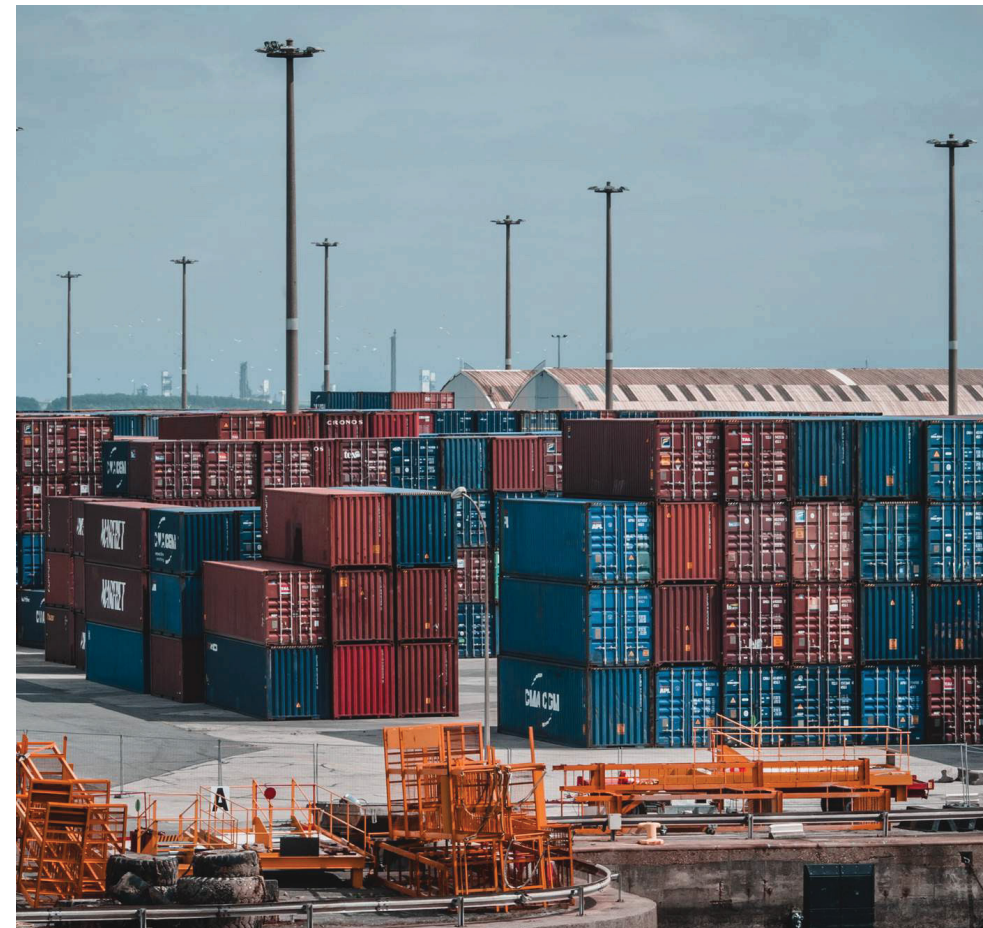


### SPECIFICATIONS

INSIDE LENGTH	5.895 m
INSIDE WIDTH	2.350 m
INSIDE HEIGHT	2.392 m
DOOR WIDTH	2.340 m
DOOR HEIGHT	2.292 m
CAPACITY	33 m <sup>3</sup>
TARE WEIGHT	4,916 lb
MAX CARGO WEIGHT	62,236 lb

## SHARED CONTAINER OPTION

- › Cost-effective for smaller shipments
- › Pay only for space used



## COMPETITIVE PRICING MODEL



### TRANSPARENT PRICING

Clear and straightforward pricing structure so customers understand exactly what they are paying for.



### NO HIDDEN FEES

We believe in honesty and transparency with no unexpected charges.



### VOLUME DISCOUNTS

Discounted rates available for larger shipments and bulk cargo.



### BUSINESS ACCOUNT PRICING

Special pricing options designed for businesses and frequent shippers.

## OUR PRICING INCLUDED:



### PICKUP SERVICE

Cargo pickup from your residence or warehouse when included in the service plan.



### OCEAN FREIGHT

Secure international container transport from the United States to Sierra Leone.



### CUSTOMS DOCUMENTATION ASSISTANCE

Support with required documentation to ensure smooth customs processing.



### DELIVERY COORDINATION

Coordination of final delivery arrangements in Freetown for a seamless shipping experience.

## PAYMENT OPTIONS



### BANK TRANSFER

Initiate bank transfer to securely make your shipping and other related payment to Rocket shipping directly.



### CASH PAYMENT

Rocket Shipping accepts cash payment for your shipment and related fees.



### CREDIT CARD PAYMENT

Rocket Shipping accepts Credit Card payment for customer's shipment and related fees.

## SHIPPING PROCESS (STEP-BY-STEP) ROCKET SHIPPING INC.



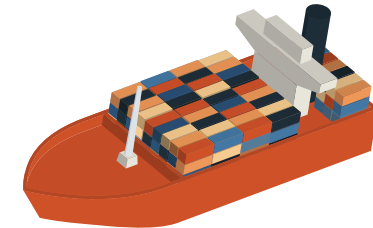
### 01 BOOKING

- › Contact Rocket Shipping Inc.
- › Receive quote
- › Confirm shipment date



### 02 PICKUP & LOADING

- › Scheduled pickup in Columbus or other parts of the US
- › Professional loading and sealing



### 03 OCEAN TRANSPORT

- › Container departure
- › Tracking updates



### 04 CUSTOMS CLEARANCE

- › Documentation handling
- › Clearance processing in Sierra Leone



### 05 FINAL DELIVERY




- › Door delivery in Freetown
  - › Customer verification and confirmation
- \*\*\*Final delivery is limited to Freetown only.**

# REQUIRED DOCUMENTATION







## REQUIRED DOCUMENTATION

### FOR PERSONAL SHIPMENTS

-  GOVERNMENT ID
-  PACKING LIST
-  RECIPIENT INFORMATION

### FOR BUSINESS SHIPMENTS

-  COMMERCIAL INVOICE
-  PACKING LIST
-  IMPORT/EXPORT DOCUMENTATION
-  BUSINESS REGISTRATION (IF REQUIRED)



## SHIPPING POLICIES & CUSTOMER ASSURANCE

### ITEM IDENTIFICATION

All shipping items are carefully tagged and labeled to ensure easy identification throughout the shipping process.

### DELIVERY CONFIRMATION

Customers will receive delivery confirmation once their shipment is successfully delivered in Freetown, ensuring full transparency.

### COMPLIANCE WITH SHIPPING REGULATIONS

Rocket Shipping Inc. strictly prohibits the shipment of illegal or restricted items and complies with all international shipping regulations.

### PACKING LIST VERIFICATION

Every shipment includes a detailed packing list with a complete inventory of items, allowing customers to review and confirm their cargo before it is shipped.

### PAYMENT REQUIREMENT

Rocket Shipping requires full payment for shipping and applicable service fees before items are picked up from the customer's residence or warehouse.



# WHY CHOOSE ROCKET SHIPPING INC.



## WHY CHOOSE ROCKET SHIPPING INC.



### SPECIALIZED ROUTE EXPERTISE

Focused on Columbus to Freetown corridor.



### DOOR-TO-DOOR CONVENIENCE

We handle everything from pickup to delivery.



### FULL INSURANCE OPTION

Peace of mind for every shipment.



### COMPETITIVE PRICING

Affordable rates without compromising service.



### DEDICATED CUSTOMER SUPPORT

Direct assistance throughout the shipping process.



## FREQUENTLY ASKED QUESTIONS (FAQ)

### Q1. HOW LONG DOES SHIPPING TAKE?

**Ans.** It generally takes about 3 months from pickup to final delivery in Freetown.

### Q2. HOW MUCH DOES A CONTAINER COST?

**Ans.** The cost of a container depends on the size you need. Call Rocket Shipping for a quote.

### Q3. CAN I SHARE A CONTAINER?

**Ans.** Yes, you can certainly share a container with other customers.

### Q4. WHAT ITEMS ARE PROHIBITED?

**Ans.** Guns and Ammunition, Drugs, Stolen property, all illegal items.

### Q5. HOW DOES INSURANCE WORK?

**Ans.** If an insurance claim needs to be made, please call Rocket Shipping Inc. to file a claim.

### Q6. HOW DO I TRACK MY SHIPMENT?

**Ans.** After shipment, all customers are given a link to track their items every step of the way.





# ROCKET SHIPPING INC.

From Columbus, Ohio, USA to Freetown, Sierra Leone; West Africa



2175 Breezeway PL  
Marysville, Ohio 43040



614-678-1377



madux247@yahoo.com